



EWIG MEGA DOOR SYSTEMS

Promotional Presentation

www.ewigmegadoor.com



Contents

- About Us
- Galvanised Steel Roller Shutter Systems
- Aluminum Roller Shutter Systems
- Sectional Panel Door Systems
- Double-Fold PVC Folding Doors
- Fast PVC Folding Door
- Spiral Fast PVC Doors
- Garage Type High-Speed PVC Doors
- Loading Tunnel
- Fire Exit Door
- Our references
- Contact Us



**YOUR
SOLUTION
PARTNER IN
INDUSTRIAL
DOOR
SYSTEMS**

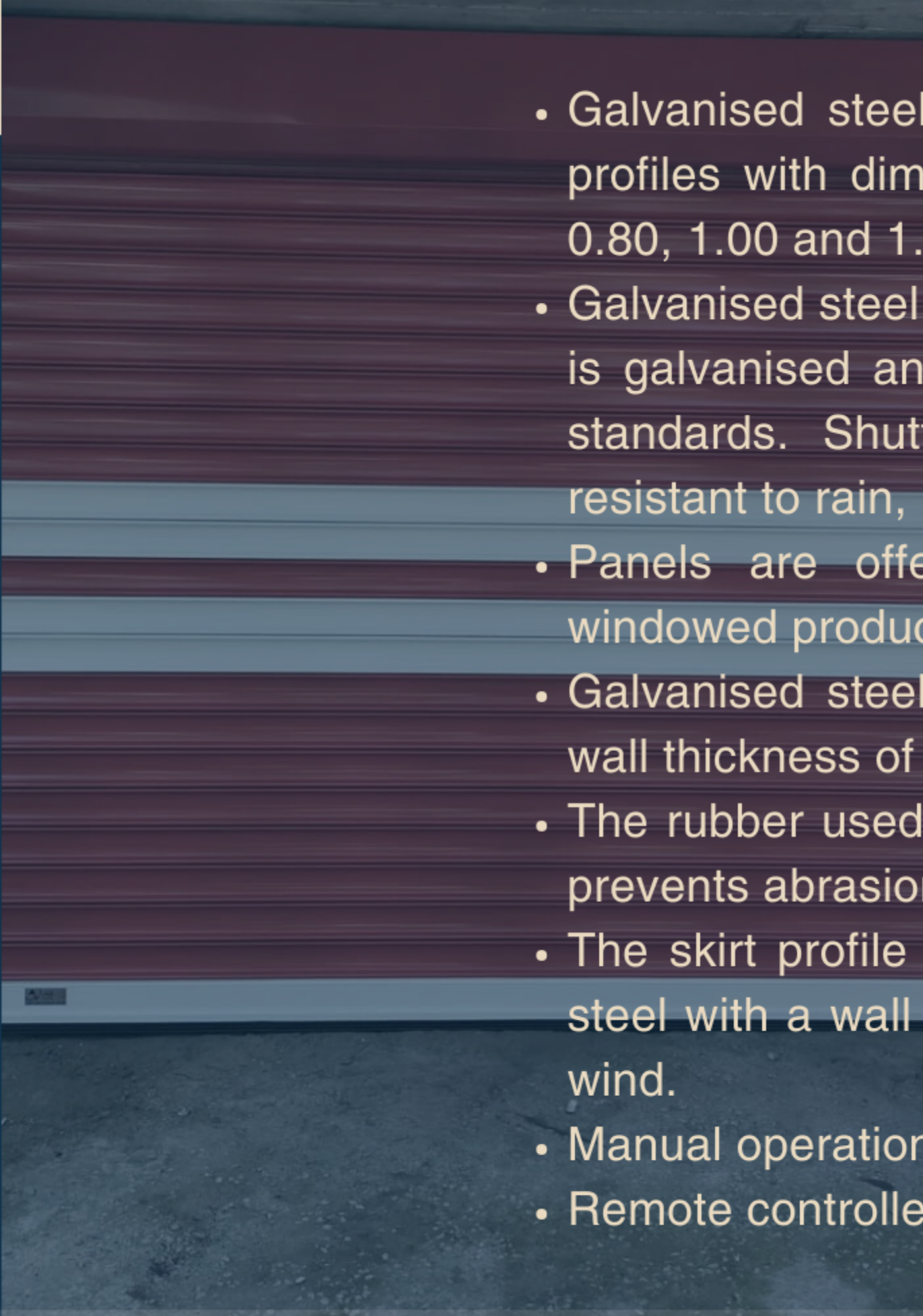
www.ewigmegadoor.com

About us

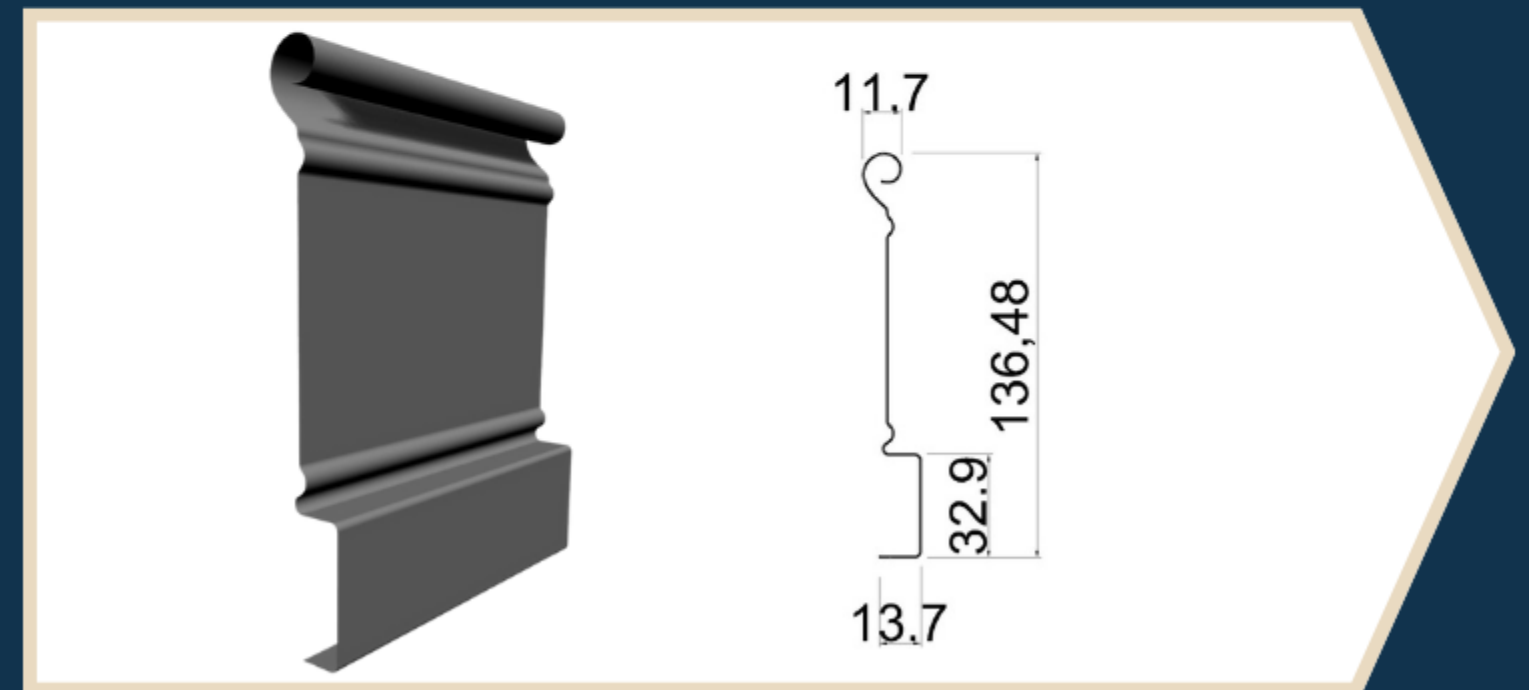
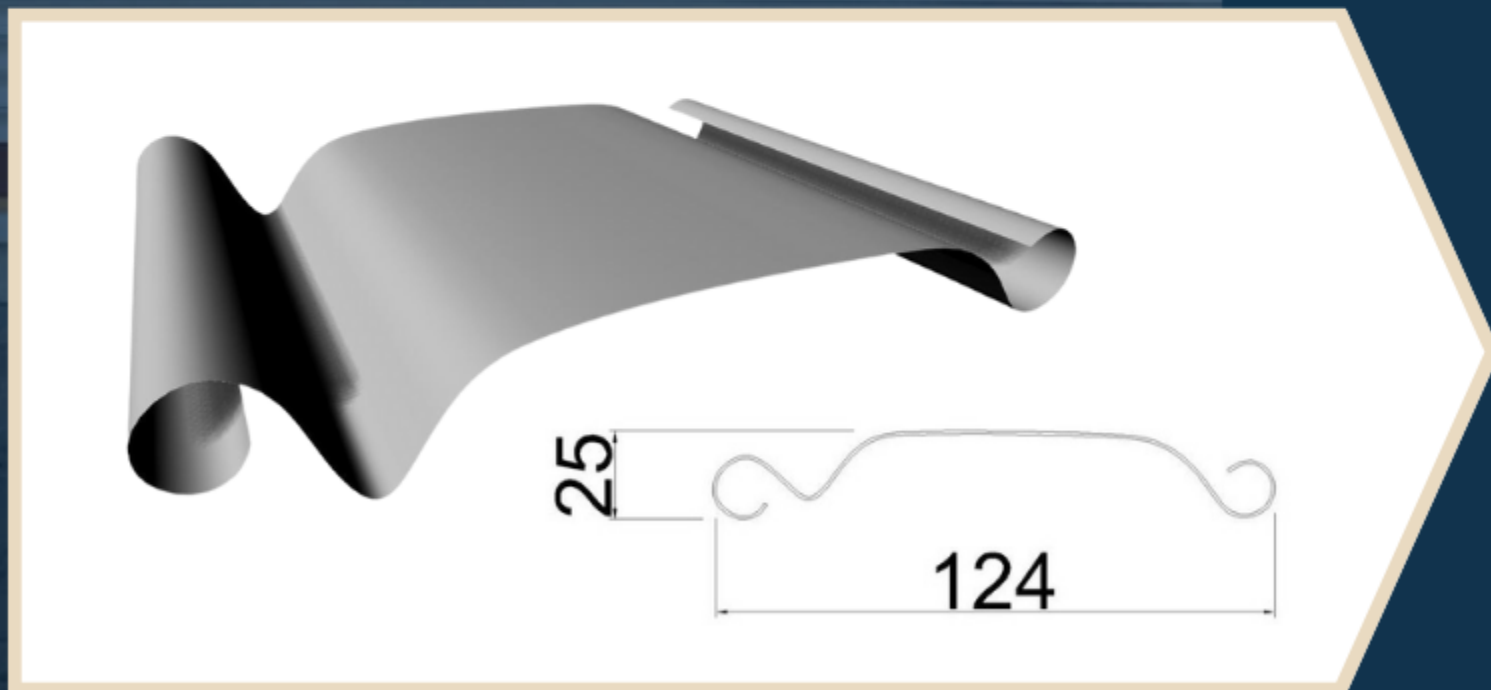
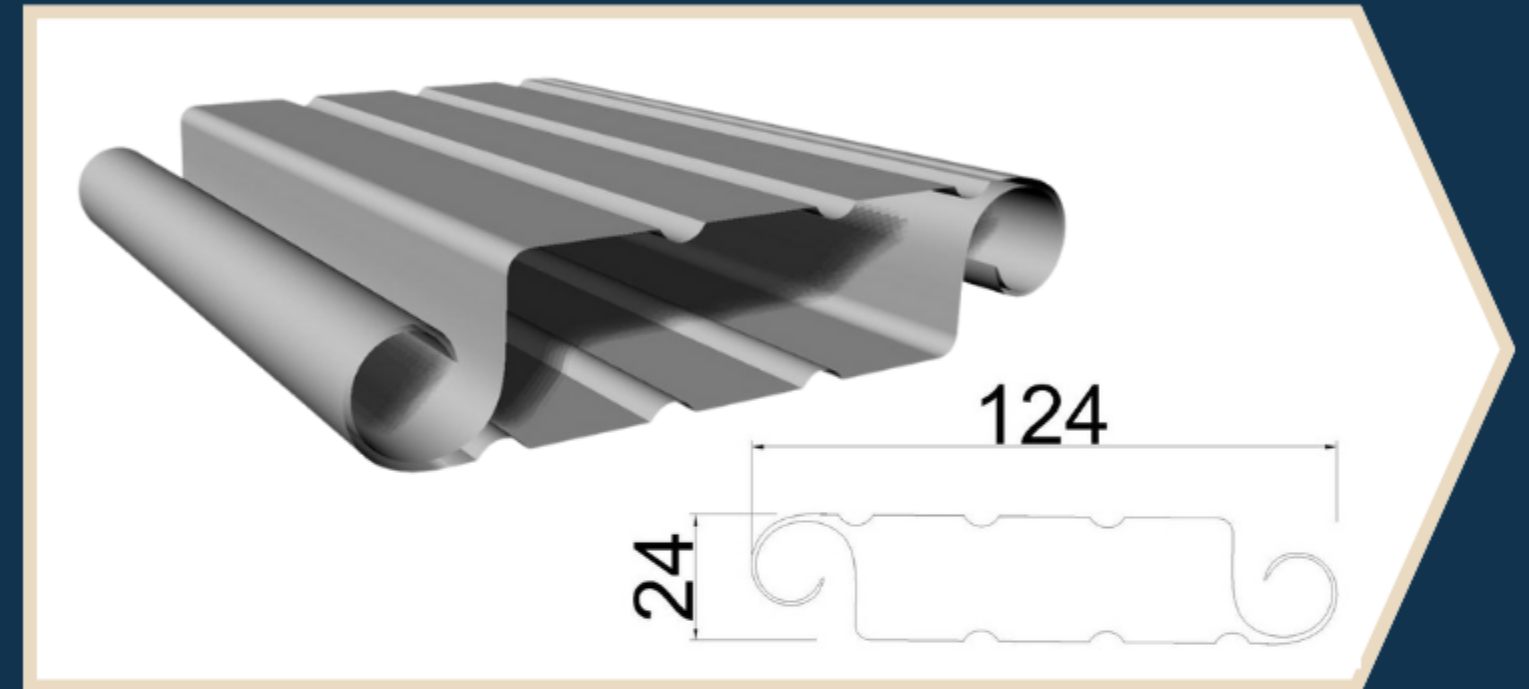
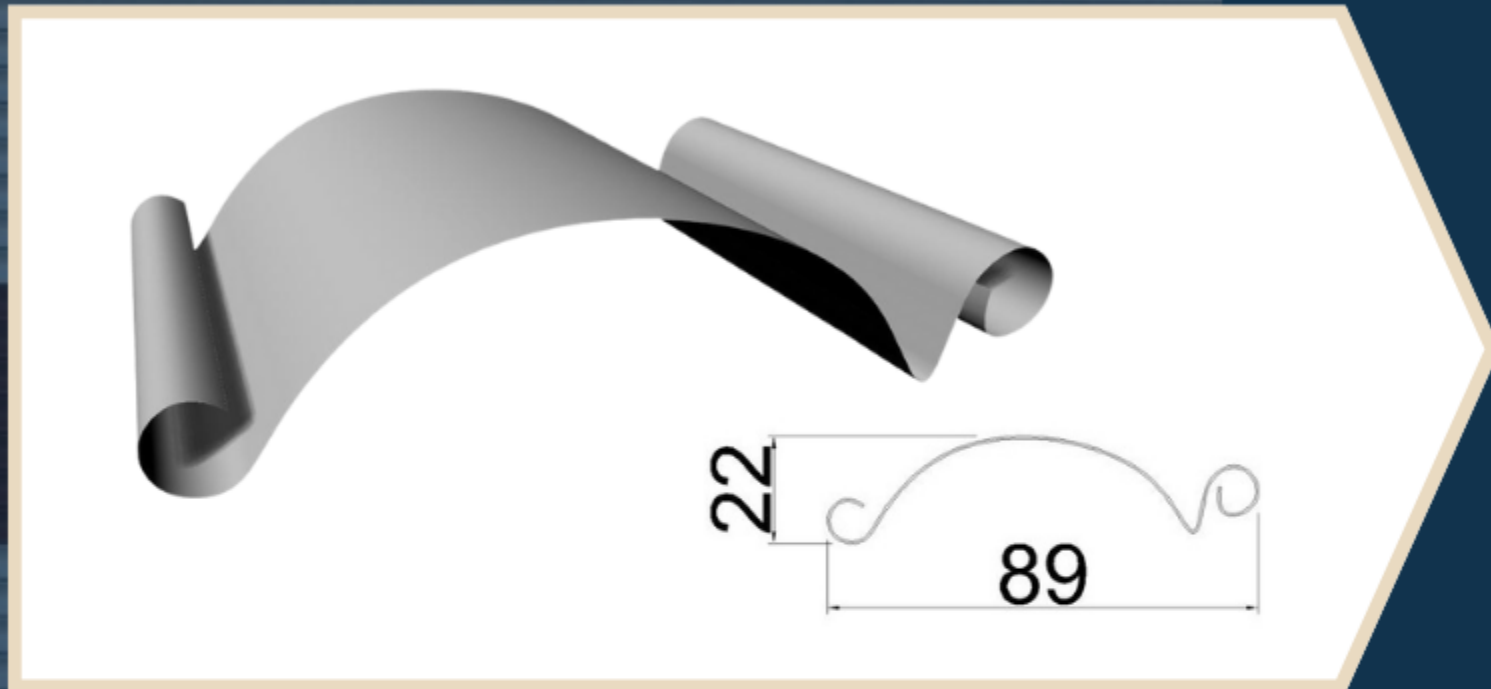
Ewig Mega Door Systems helps you choose the most suitable industrial door for your facility with its wide range of products. We are offering you a professional operation system. We are on your service with our professional team anytime you need industrial doors. Our main goal is to be one of the pioneers of the industrial door systems industry worldwide. We continue to work to provide innovative products and quality services that provide benefit and convenience to society in every field.

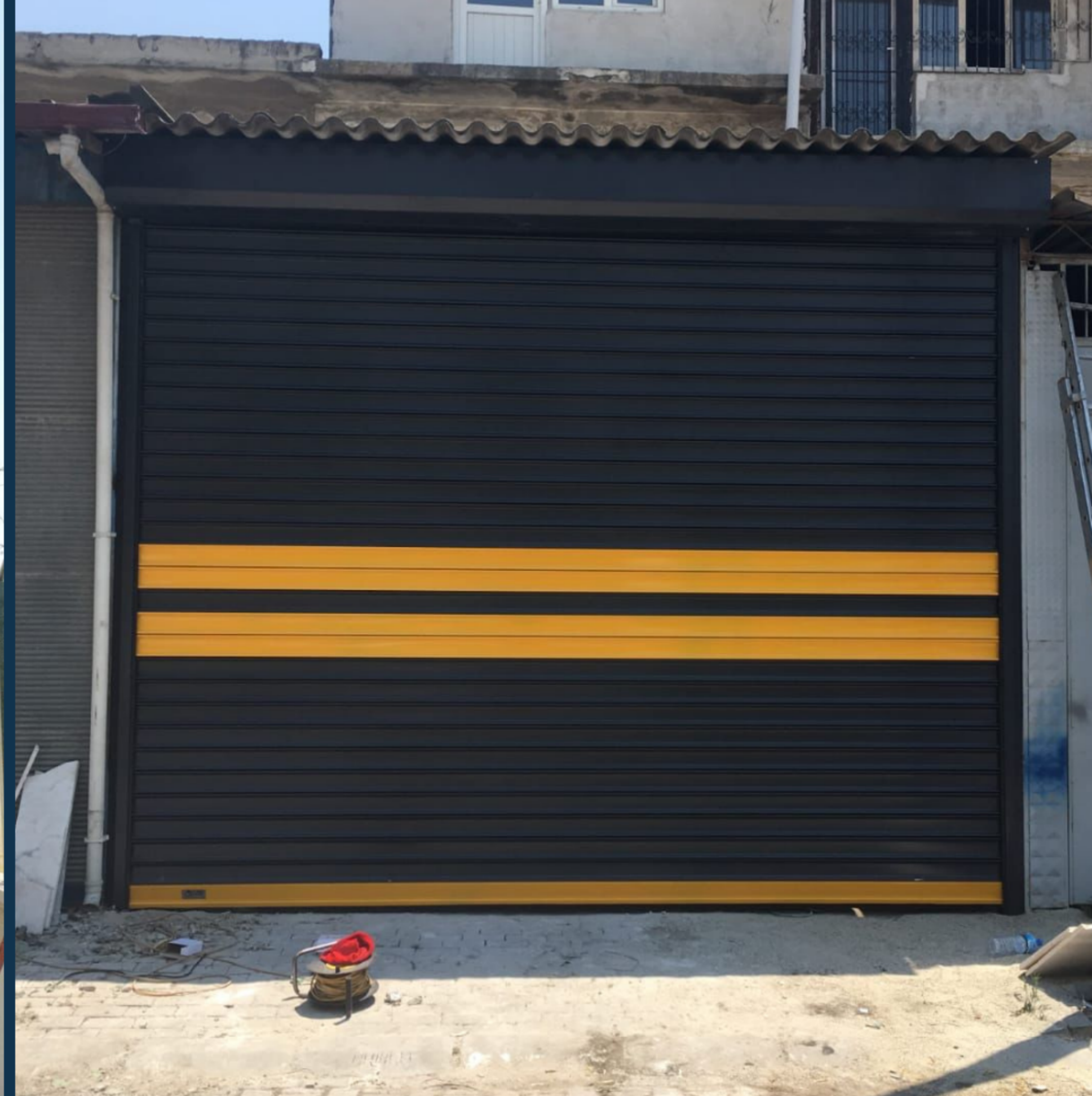


GALVANISED STEEL ROLLER SHUTTER SYSTEMS

- 
- Galvanised steel roller shutter systems consist of first quality galvanised steel profiles with dimensions of 80, 110, and 120 mm, and wall thickness of 0.60, 0.80, 1.00 and 1.20.
 - Galvanised steel roller shutter systems can be painted in the desired RAL color. It is galvanised and manufactured from corrosion-resistant steel profiles at ST37 standards. Shutter systems are extremely resistant to theft and extremely resistant to rain, mud, dust and sun.
 - Panels are offered with fully closed, micro-perforated, flat and optionally windowed production options.
 - Galvanised steel shutter strut (upright) profiles are produced from steel with a wall thickness of 2.00 mm.
 - The rubber used in the uprights prevents the friction between the moving metals, prevents abrasion, provides sound and partial heat insulation.
 - The skirt profile of galvanised steel roller shutters is produced from galvanised steel with a wall thickness of 1.5 mm and the profiles provide resistance against wind.
 - Manual operation is possible in case of power outages.
 - Remote controlled button and photocell systems can be added optionally.

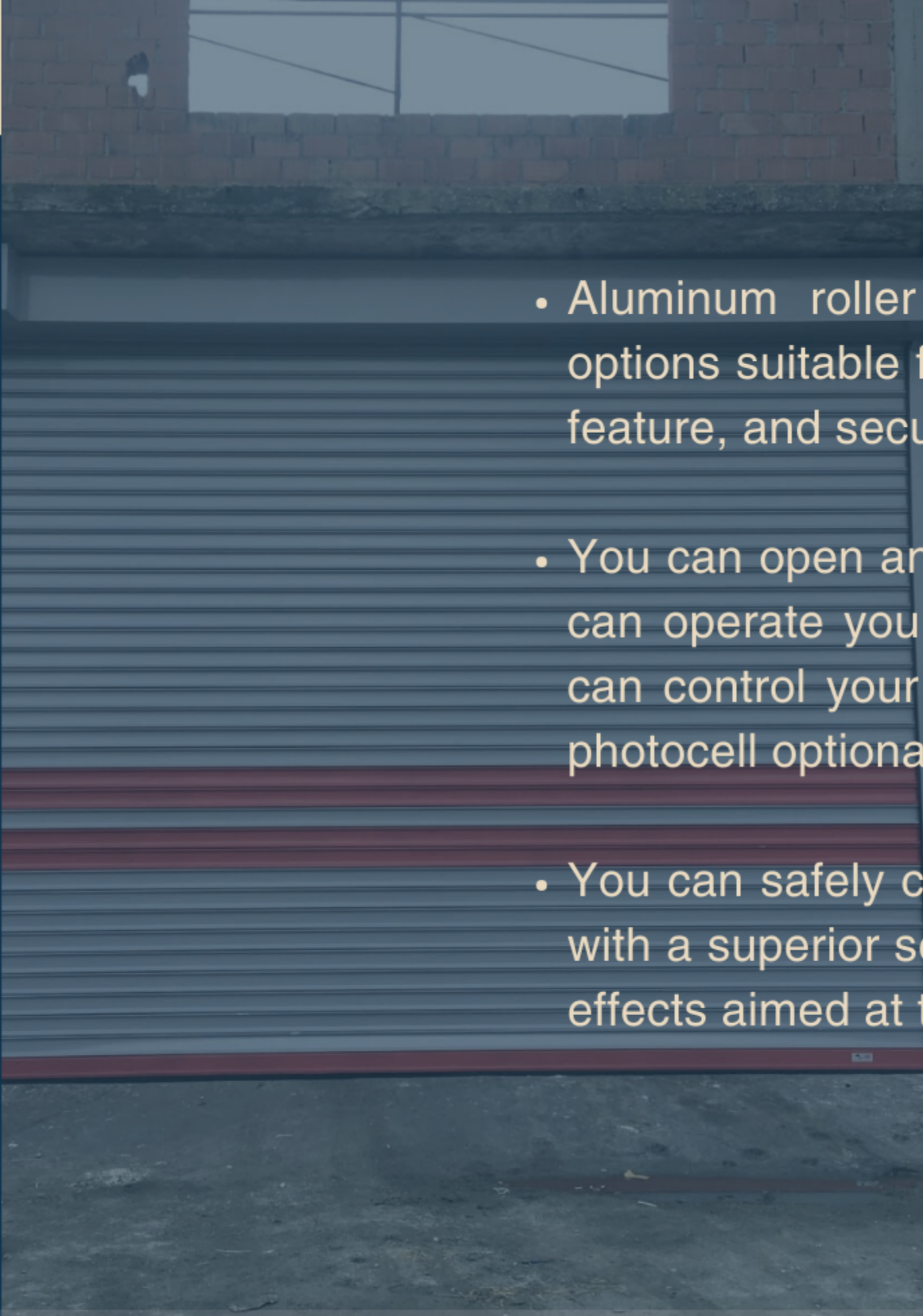
OUR PANEL TYPES





ALUMINUM ROLLER SHUTTER SYSTEMS

ewigmegadoor.com

- 
- Aluminum roller shutter systems offers an aesthetic appearance with color options suitable for your exterior, comfort with quiet operation and remote control feature, and security with resistance to external influences.
 - You can open and close your door manually in case of a power outage, also you can operate your door automatically using an uninterruptible power supply, you can control your door with a remote control button, lastly you can use a safety photocell optionally.
 - You can safely choose long-lasting EWIG ALUMINUM shutter systems equipped with a superior security system to protect your garage or workplace from physical effects aimed at theft and damage in all weather conditions.

SECTIONAL PANEL DOOR SYSTEMS



- Rope Break safety system
- 2" galvanised steel rail set
- Aluminum bottom supporting
- EPDM top sealing gasket
- For doors wider than 6000 mm
- Door handle
- Bottom sealing gasket
- Double side hinges and long wheels are used for doors wider than 5500 mm
- Spring bumpers
- Aluminum top sealing profile
- EPDM bottom sealing gasket
- Solid shaft with keyway
- 65 mm omega wind support sheet is used
- Rear connection C profile
- Side sealing gasket

MINIMUM BEAM DISTANCE FOR STANDARD BEARING = 450MM

MINIMUM BEAM DISTANCE FOR HIGH BEARING = DOOR HEIGHT + 1000MM

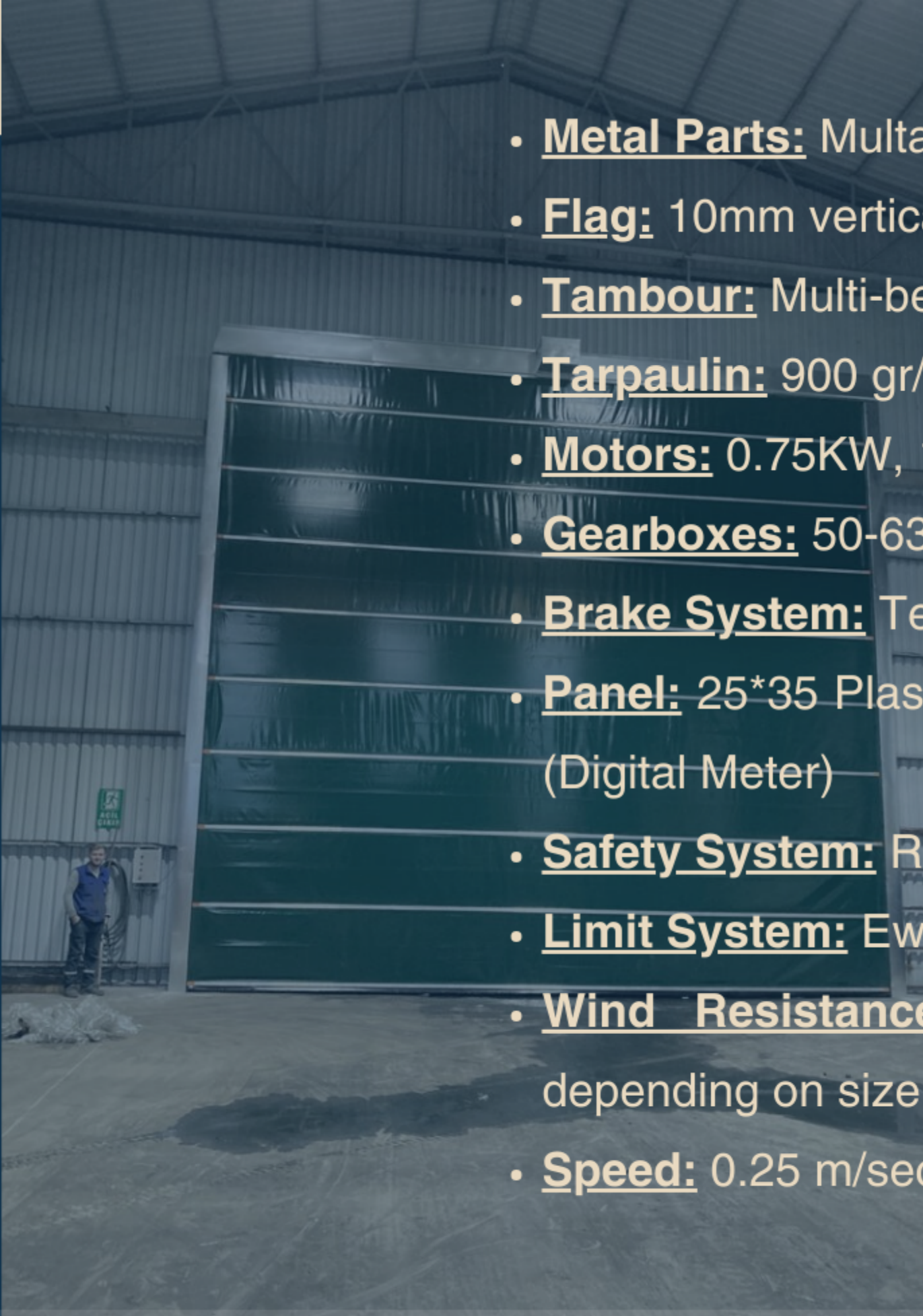
MINIMUM BEAM DISTANCE FOR VERTICAL BEARING = (DOOR HEIGHT X 2) + 500 MM SPACE REQUIRED

- It is the most suitable door system that prioritizes insulation for loading and unloading operations that require medium speed in your facility. It is extremely durable and long-lasting with its polyurethane-filled interior and steel-coated exterior panels.
- Sectional doors are polyurethane-filled, steel-covered, safe, visible, heat and dust insulated, long-lasting industrial door systems; While it meets needs such as garage doors, hangar doors, factory doors, it is also in high demand by many industrial facilities.

Technical detail:

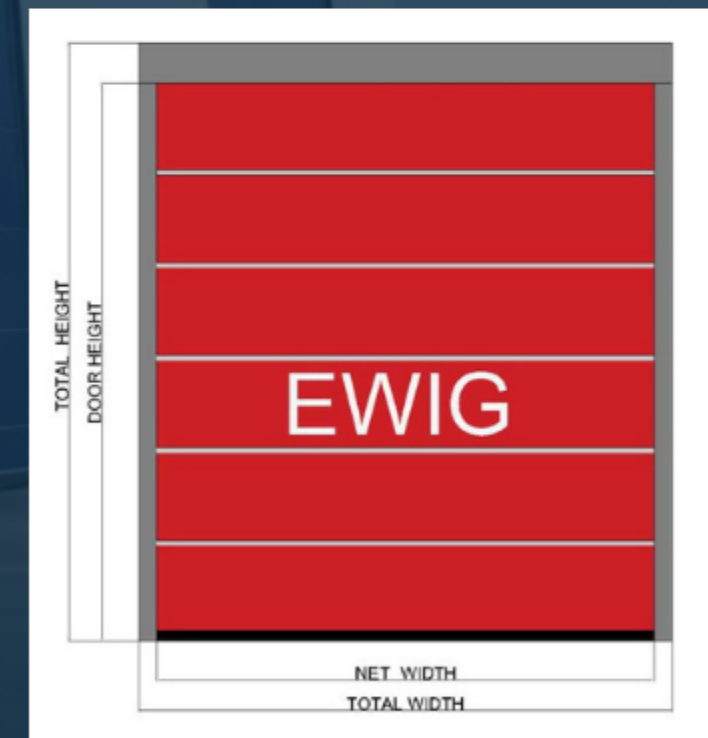
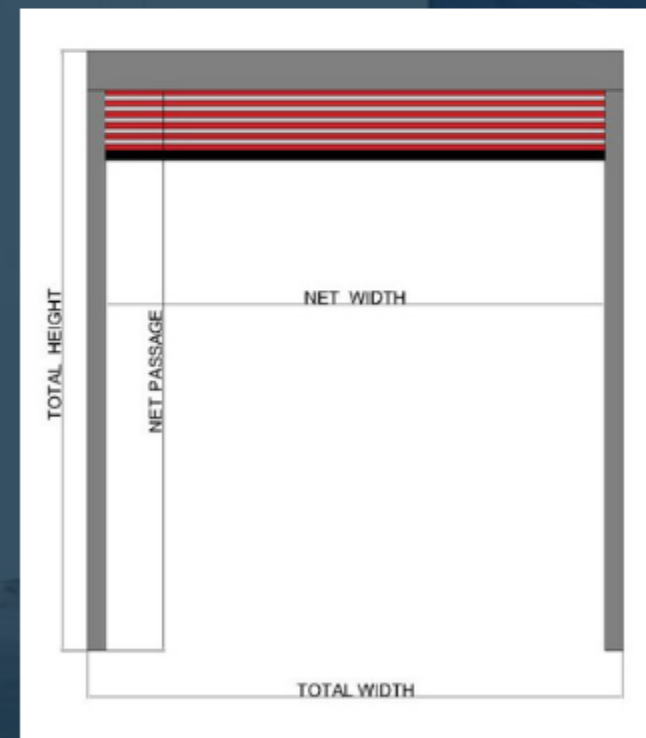


DOUBLE-FOLD PVC FOLDING DOORS


- 
- **Metal Parts:** Multable bearing above profile top group
 - **Flag:** 10mm vertical bearing plates, 6mm horizontal and sword flags
 - **Tambour:** Multi-bearing tambour on shaft
 - **Tarpaulin:** 900 gr/m2 double layer tarpaulin, Ewig 120x50 mm aluminum wind bars
 - **Motors:** 0.75KW, 1.5KW, 2.2KW, 3KW, 4KW 380V AC
 - **Gearboxes:** 50-63, 75-90 size i/25 Ewig Gearbox
 - **Brake System:** Temporiti (Made in Italy)
 - **Panel:** 25*35 Plastic panel, ABB Switch material, HD14 digital display control system (Digital Meter)
 - **Safety System:** Reflector photocell system
 - **Limit System:** Ewig software limit switch system
 - **Wind Resistance:** Resistant to 0-130 km/h speed, (Wind resistance varies depending on size.)
 - **Speed:** 0.25 m/sec constant speed

NO WELDING IS USED ON EWIG BRAND FAST PVC DOORS. THE SYSTEM IS MANUFACTURED ENTIRELY WITH BOLTS AND NUTS. IN THIS WAY, DAMAGES CAUSED BY UNWANTED ACCIDENTS ARE SOLVED EASILY AND ECONOMICALLY. ALL CONSUMABLES USED IN EWIG FAST PVC DOORS HAVE QUALITY AND EASE OF SUPPLY THAT ARE DEEMED SUITABLE FOR USE AT WORLD STANDARDS.

Technical detail:



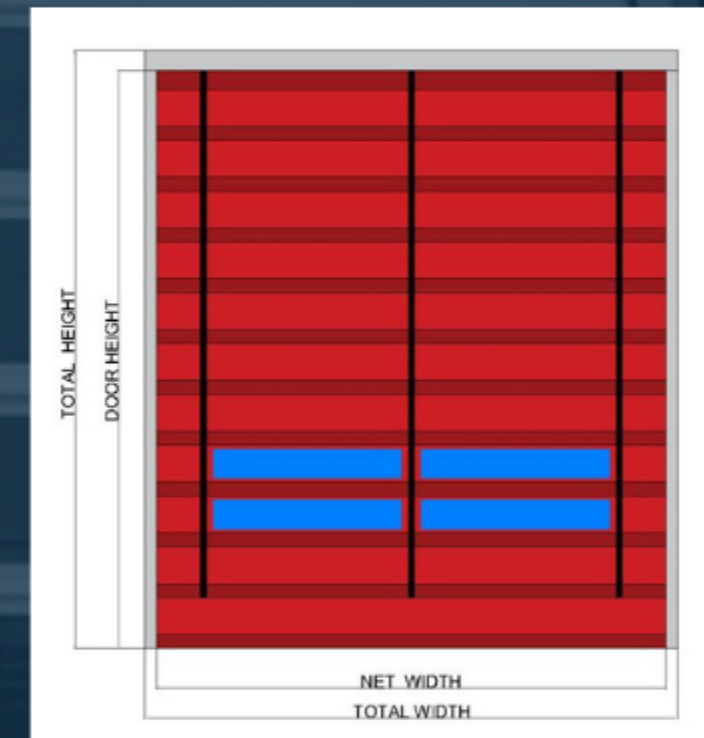
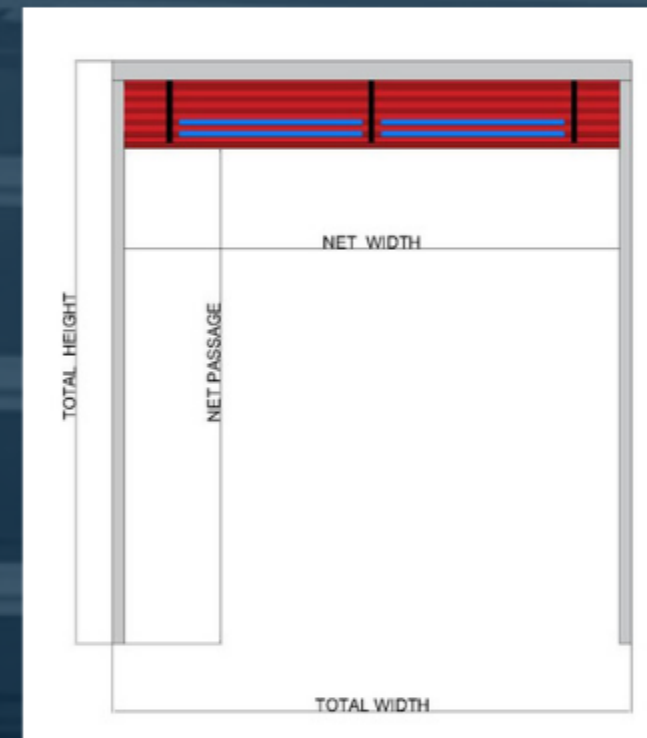
FAST PVC FOLDING DOOR

- 
- **Metal Parts:** Multable bearing above profile top group
 - **Flag:** 3mm special laser cut, galvanised coated
 - **Tambour:** Multable bearing, weldless disassembled system.
 - **Tarpaulin:** 900gr/m2 Tarpaulin (Gray, blue, red, yellow, green)
 - **Motors:** 0.75kw, 1.5kw, 380V AC
 - **Gearboxes:** 50-63 size i/15 Ewig Gearbox
 - **Brake System:** Temporiti (Made in Italy)
 - **Panel:** 25*35 Plastic panel, ABB Switch material, HD14 digital display control system (Digital Meter)
 - **Safety System:** Reflector photocell system
 - **Limit System:** Ewig software limit switch system
 - **Wind Resistance:** Resistant to 0-40-90 km/h speed, (Wind resistance varies depending on size.)
 - **Speed:** 0.70 m/sec constant speed, Optionally, it can be set to a speed of 1.5 m/sec with a speed control driver.

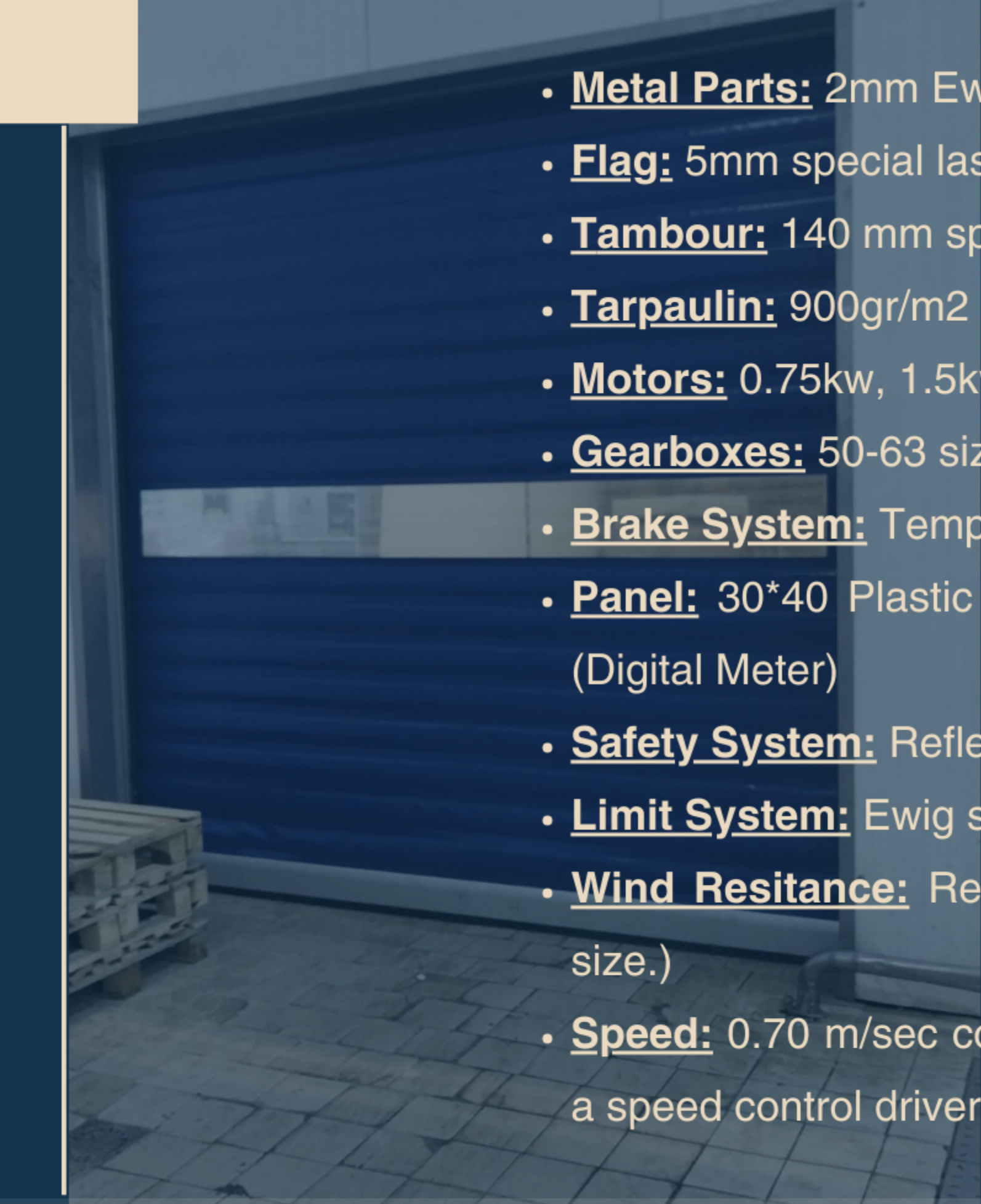
OPTIONALLY, THE SYSTEM CAN BE MANUFACTURED FROM 304 QUALITY STAINLESS STEEL.

NO WELDING IS USED ON EWIG BRAND FAST PVC DOORS. THE SYSTEM IS MANUFACTURED ENTIRELY WITH BOLTS AND NUTS. IN THIS WAY, DAMAGES CAUSED BY UNWANTED ACCIDENTS ARE SOLVED EASILY AND ECONOMICALLY. ALL CONSUMABLES USED IN EWIG FAST PVC DOORS HAVE QUALITY AND EASE OF SUPPLY THAT ARE DEEMED SUITABLE FOR USE AT WORLD STANDARDS.

Technical detail:



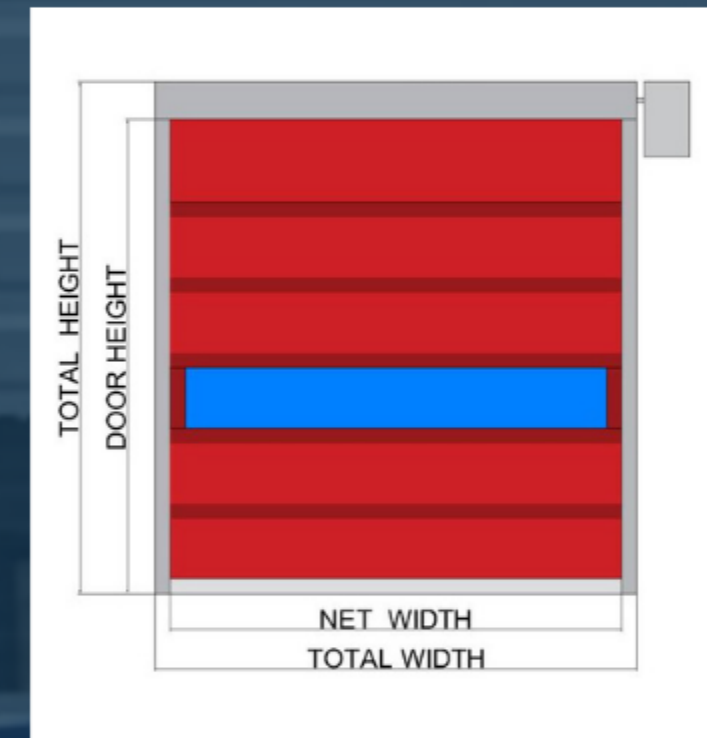
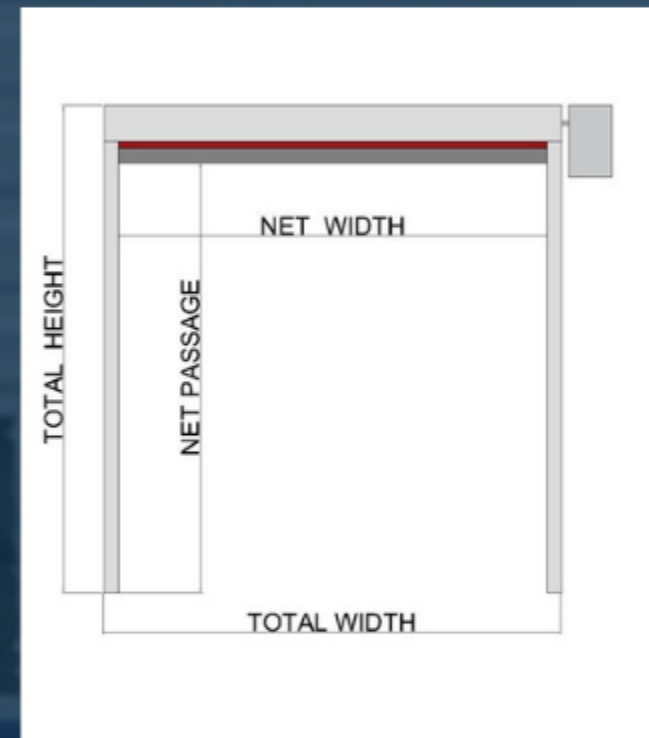
SPIRAL FAST PVC DOORS

- 
- **Metal Parts:** 2mm Ewig special aluminum uprights, 1311 quality galvanised winding cover
 - **Flag:** 5mm special laser cut, galvanised coated
 - **Tambour:** 140 mm special aluminum tambour
 - **Tarpaulin:** 900gr/m2 Tarpaulin
 - **Motors:** 0.75kw, 1.5kw, 380V AC
 - **Gearboxes:** 50-63 size i/15 Ewig Gearbox
 - **Brake System:** Temporiti (Made in Italy)
 - **Panel:** 30*40 Plastic Panel, , ABB Switch material, HD14 digital display control system (Digital Meter)
 - **Safety System:** Reflector photocell system
 - **Limit System:** Ewig software limit switch system
 - **Wind Resistance:** Resistant to 0-30 km/h speed, (Wind resistance varies depending on size.)
 - **Speed:** 0.70 m/sec constant speed, Optionally, it can be set to a speed of 1.5 m/sec with a speed control driver.

OPTIONALLY, THE SYSTEM CAN BE MANUFACTURED FROM 304 QUALITY STAINLESS STEEL.

NO WELDING IS USED ON EWIG BRAND FAST PVC DOORS. THE SYSTEM IS MANUFACTURED ENTIRELY WITH BOLTS AND NUTS. IN THIS WAY, DAMAGES CAUSED BY UNWANTED ACCIDENTS ARE SOLVED EASILY AND ECONOMICALLY. ALL CONSUMABLES USED IN EWIG FAST PVC DOORS HAVE QUALITY AND EASE OF SUPPLY THAT ARE DEEMED SUITABLE FOR USE AT WORLD STANDARDS.

Technical detail:

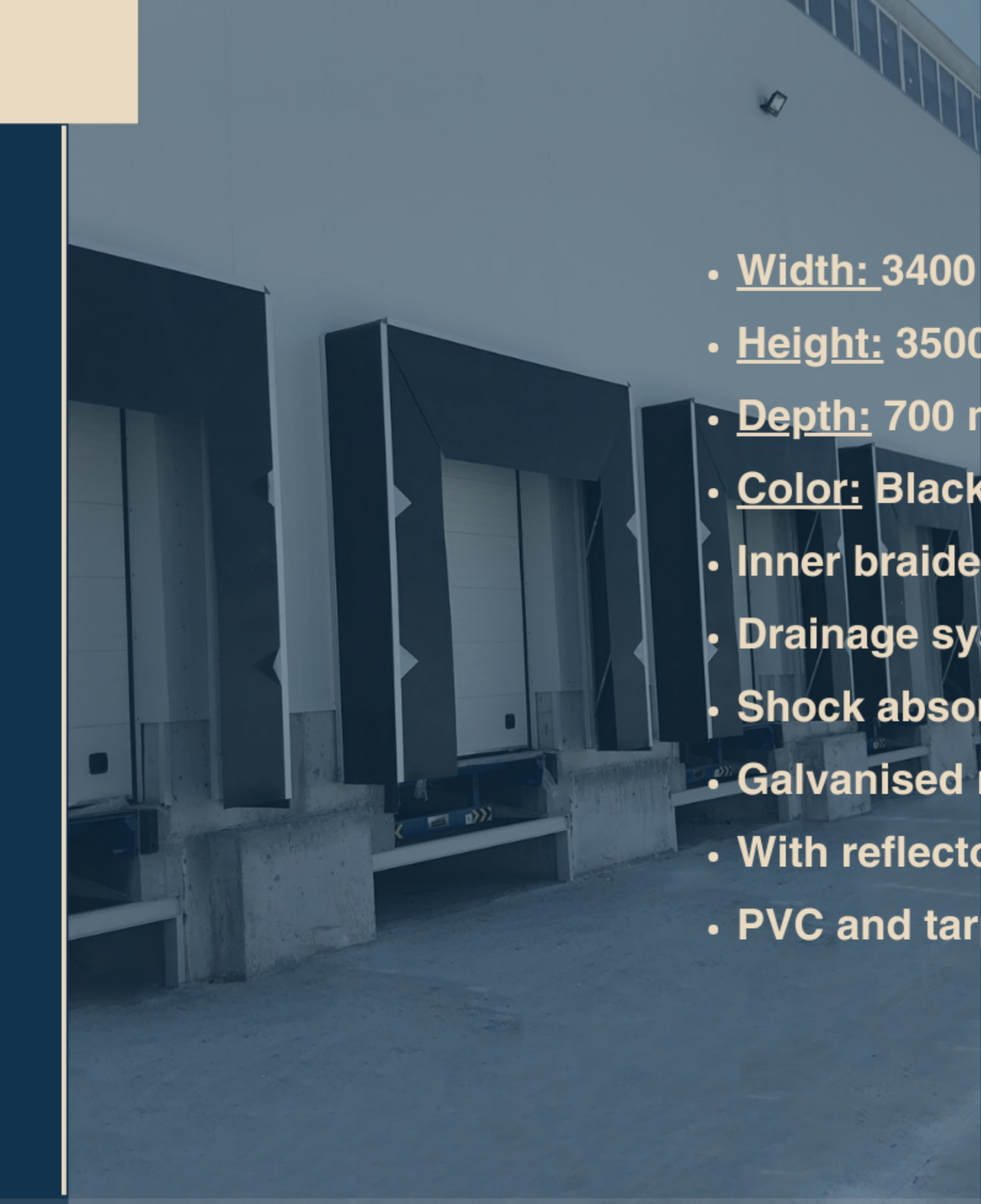


GARAGE TYPE HIGH-SPEED PVC DOORS

- **Metal Parts:** 2mm Ewig special galvanised uprights, 1311 quality galvanised winding cover
- **Flag:** 5mm special laser cut, galvanised coated
- **Tambour:** 140 mm special aluminum tambour
- **Tarpaulin:** 900gr/m2 double layer tarpaulin with lamellar filling
- **Motors:** 0.75kw, 1.5kw, 380V AC
- **Gearboxes:** 50-63 size i/15 Ewig Gearbox
- **Brake System:** Temporiti (Made in Italy)
- **Panel:** 30*40 Plastic Panel, , ABB Switch material, HD14 digital display control system (Digital Meter)
- **Safety System:** Reflector photocell system
- **Limit System:** Ewig software limit switch system
- **Wind Resistance:** Resistant to 0-40 km/h speed, (Wind resistance varies depending on size.)
- **Speed:** 0.70 m/sec constant speed, Optionally, it can be set to a speed of 1.5 m/sec with a speed control driver.

NO WELDING IS USED ON EWIG BRAND FAST PVC DOORS. THE SYSTEM IS MANUFACTURED ENTIRELY WITH BOLTS AND NUTS. IN THIS WAY, DAMAGES CAUSED BY UNWANTED ACCIDENTS ARE SOLVED EASILY AND ECONOMICALLY. ALL CONSUMABLES USED IN EWIG FAST PVC DOORS HAVE QUALITY AND EASE OF SUPPLY THAT ARE DEEMED SUITABLE FOR USE AT WORLD STANDARDS.

LOADING TUNNEL

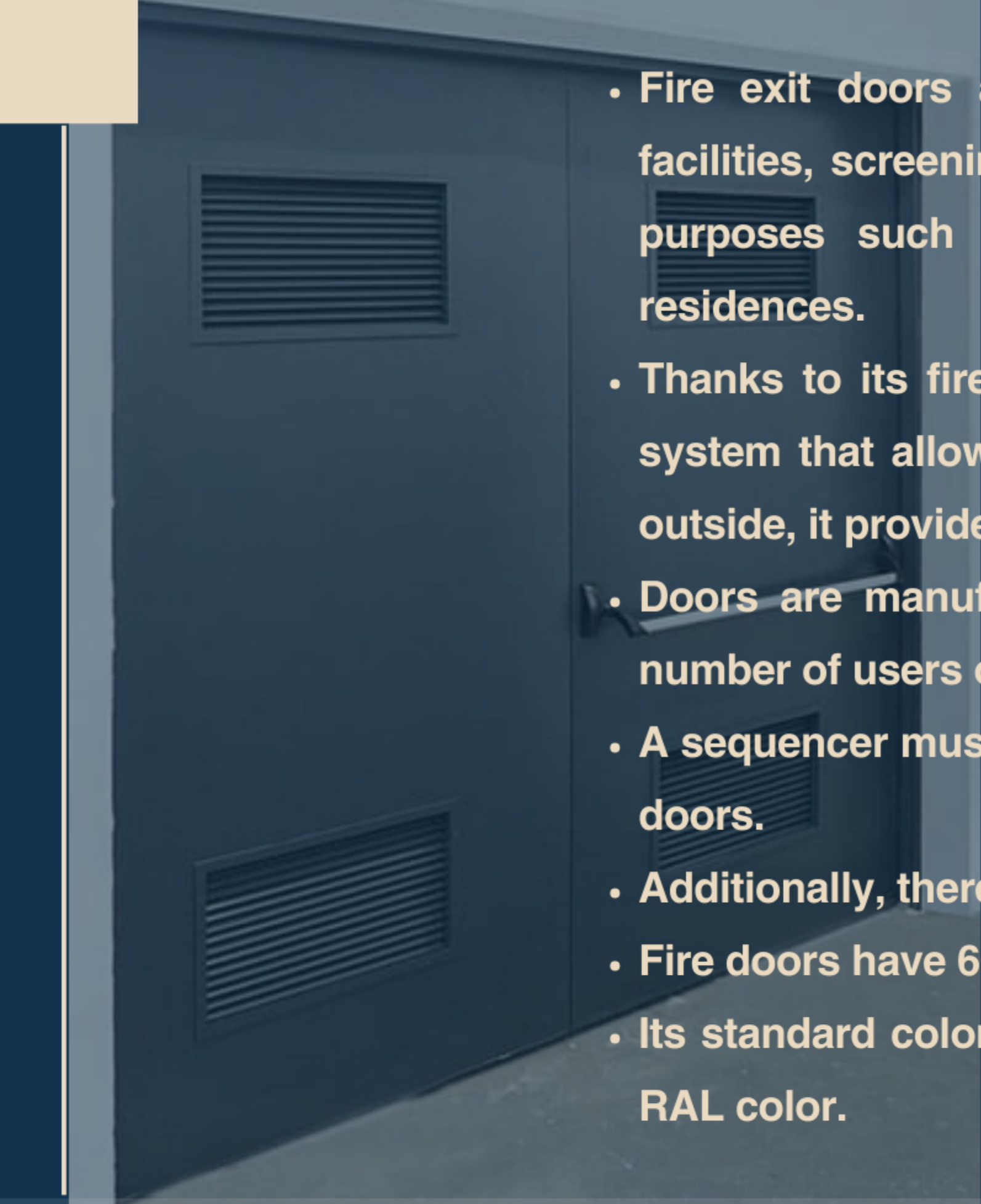
- 
- **Width: 3400 mm**
 - **Height: 3500 mm**
 - **Depth: 700 mm**
 - **Color: Black**
 - **Inner braided pvc curtain (3 mm, Black)**
 - **Drainage system against rain and snow water accumulation**
 - **Shock absorbing moving scissor system**
 - **Galvanised mechanical parts**
 - **With reflector**
 - **PVC and tarpaulin stabilizer, anodized steel profiles**

FIRE EXIT DOOR

FIRE EXIT

FIRE EXIT

FIRE EXIT

- 
- Fire exit doors are applied in schools, hospitals, shopping malls, industrial facilities, screening halls such as theaters and cinemas, buildings for gathering purposes such as fairs, meetings and congresses, business centers and residences.
 - Thanks to its fire resistance, smoke and flame proof properties, and panic bar system that allows continuous exit from the inside even if it is locked from the outside, it provides fast and safe evacuation in case of fire.
 - Doors are manufactured as single-winged or double-winged, dependin on the number of users of the place where they will be located.
 - A sequencer must be used to close the doors in the correct order for double wing doors.
 - Additionally, there are different durability periods depending on the place of use.
 - Fire doors have 60-90-120 minutes fire resistance feature.
 - Its standard color is RAL 1013-9002 and can be optionally painted in the desired RAL color.

OUR REFERENCES

 **BORÇELİK**

 **COŞKUNÖZ
HOLDİNG**

DARDANEL



 **KARSAN**


MARMARABİRLİK

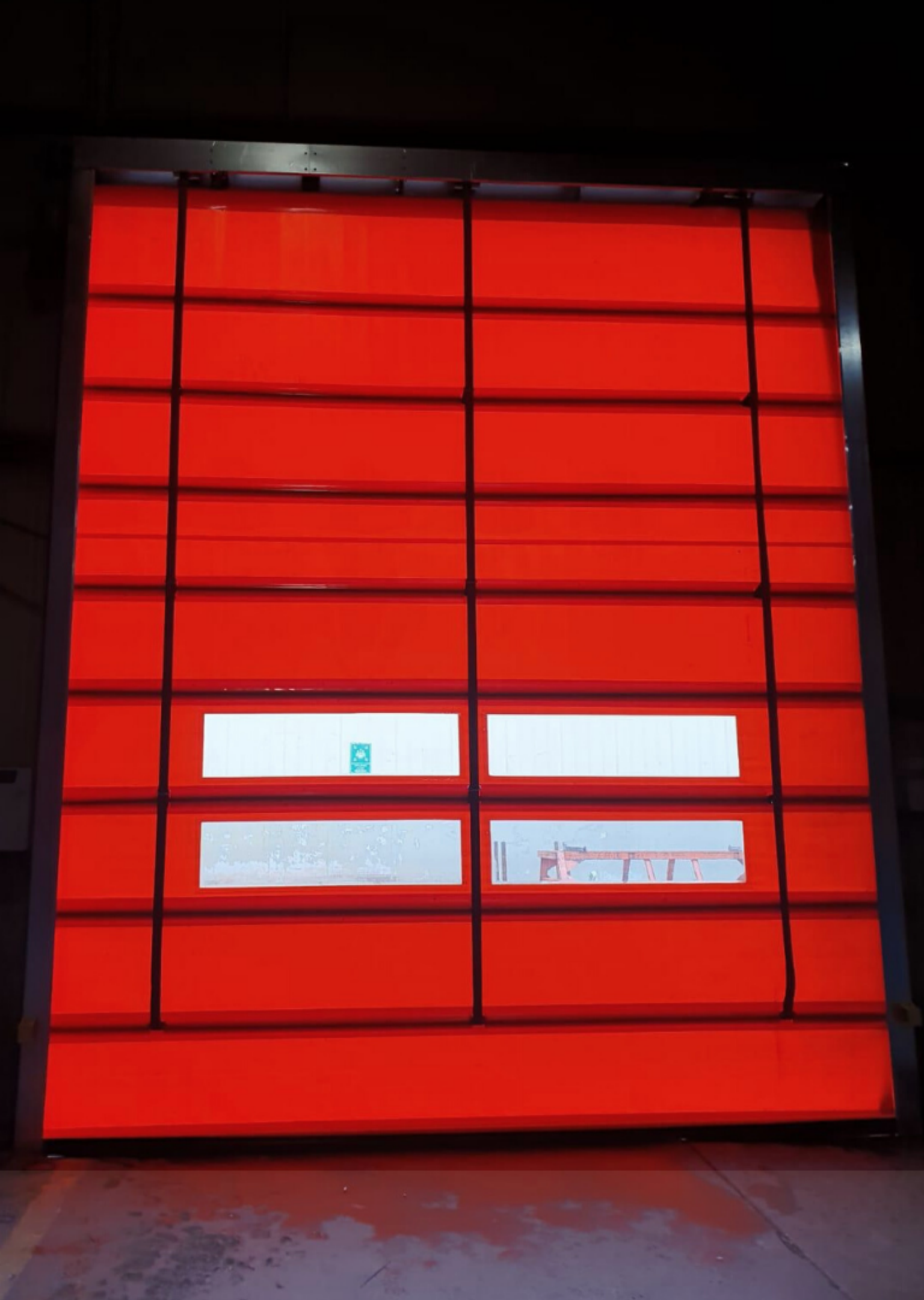
 *Paşabahçe*


weltew
home

- 5 İNCİ ABA BAKIM FABRİKA MÜDÜRLÜĞÜ
- AKGÜN SERAMİK
- ANADOLU TERSANESİ
- ARGEM TERSANESİ
- ASİL ÇELİK
- ATAKEY PATATES
- BOĞAZIÇI TERSANESİ
- BOLACALAR

- BORUSAN LOJİSTİK
- BURSA ÇİMENTO
- ÇİLEK MOBİLYA
- ÇİMTAŞ
- HİSARLAR MAKİNA
- ERBAK ULUDAĞ İÇECEK
- ERMETAL
- GÜRDESAN

- İSTANBUL MARİNA
- MEDIA MARKT
- NORSE TERSANESİ
- ÖZDİLEK
- PMS ALÜMİNYUM
- ŞİŞECAM A.Ş
- TRAKYA BİRLİK
- VIBRACOUSTIC CV AIR SPRİNG



CONTACT US

Adress

Alaaddin bey mahallesi 70. Sk no 4/C Nilüfer Bursa

E-mail

info@ewigmegadoor.com

Phone Number

+90 549 303 9300

www.ewigmegadoor.com